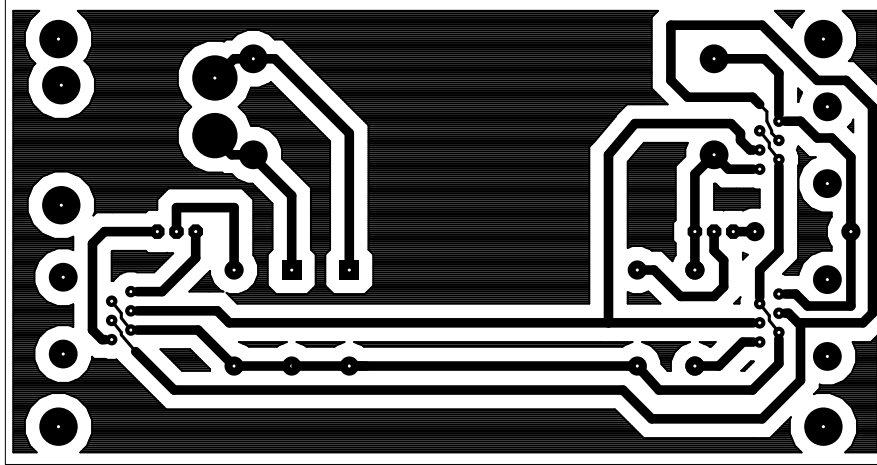
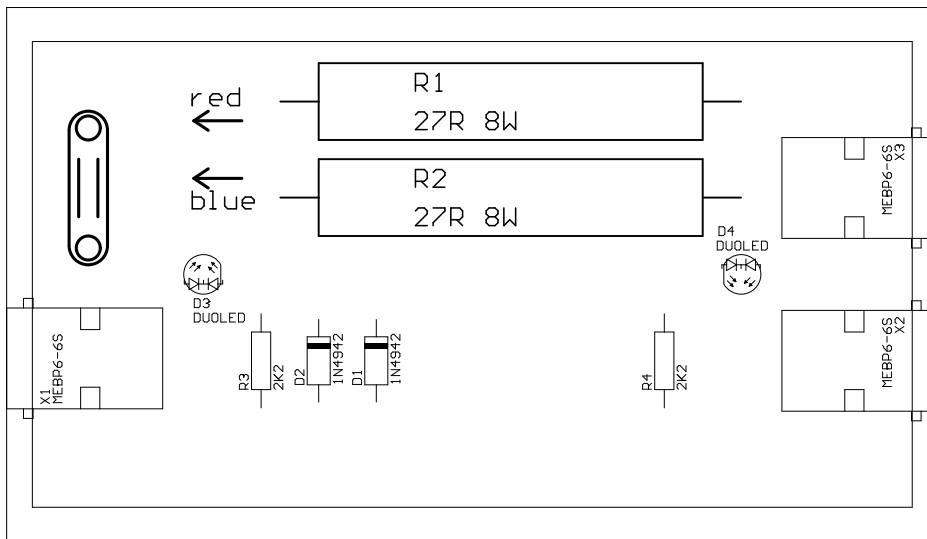


RSCLD RailSync Current Limiting Device - PCB - rev 2.0



LAYOUT BOTTOM-SIDE



Conrad #520985

PLACEMENT TOP-SIDE